

# DTH Prime

Durable piling solutions for demanding conditions

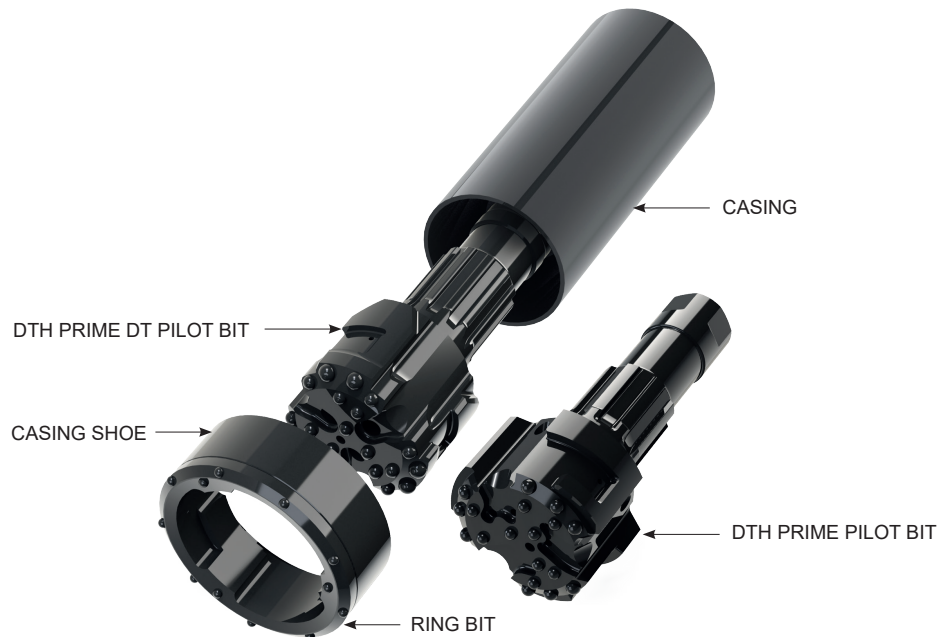
Robit® DTH Prime products allow you to drill **both threaded and welded casing tubes with the same ring bit**. **Fitting and welding** are made **easy** with a pile coupling structure, while the **ring bit carry capacity is guaranteed** to exceed the burden of maximum casing grades (S550). **Large gauge buttons** enhance ring bit durability with the long-life mentality carried over to pilot design. **Flushing grooves are optimized** for the toughest of conditions and optional **“Flow Control”** model also available, where the ring bit runs ahead of the pilot bit to minimize air escaping to surrounding ground. **Reliable spiral locking mechanism** is also used in the DTH Prime system. **With the Prime DT pilot bit you are able to drill with the same ring bit and continue drilling through the ring assembly deep to the bedrock to create a rock socket**. Robit® DTH Prime products are available for piling applications ranging from 114,3 to 1220 mm. Find out more from our sales representatives at +358 3 3140 3400 or sales@robitgroup.com. Meet us online at robitgroup.com.

## DTH Prime

### Drilling parameters example

Product	DTH Prime 219,1/12,7
Rock / Ground conditions	All rock and ground formations
Application	Piling
DTH hammer size	6"
Rotation speed	20 - 30 RPM
Torque	2200 - 3200 Nm
	20 - 24 m <sup>3</sup> /min Max:17 kg/cm <sup>2</sup>
Compressor output	707 - 848 CFM    250 psi
Compressor pressure	10 - 16 bar

**NOTE: Parameters may vary depending on ground / rock conditions, application and machinery.**



## DTH Prime

Order code	Casing				Ring bit				Pilot bit	Hammer	Weight		
	[mm]	[in]	[mm]	[in]	[mm]	[in]	[mm]	[in]	[mm]	[in]	[kg]	[kg]	
DTH Prime 114,3/10	114,3	4 ½	10	0.394	80	3.150	135	5.315	91,5	3.602	3"	4.4	6.1
DTH Prime 139,7/10	139,7	5 ½	10	0.394	100	3.937	161	6.339	116	4.567	4"	5.8	10.2
DTH Prime 168,3/12,7	168,3	6 ¾	12,7	0.500	126	4.961	191	7.520	140	5.512	5"	8.4	17.9
DTH Prime 219,1/12,7	219,1	8 ¾	12,7	0.500	172	6.772	241	9.488	190	7.480	6"	11.6	30.6
DTH Prime 273/12,7	273	10 ¾	12,7	0.500	222	8.740	304	11.969	245	9.646	8"	17.5	66.3
DTH Prime XL2 273/12,7	273	10 ¾	12,7	0.500	222	8.740	327	12.874	245	9.646	8"	21.0	66.3
DTH Prime 323,9/12,7	323,9	12 ¾	12,7	0.500	272	10.709	350	13.780	295	11.614	8-10"	20.2	77.2
DTH Prime XL2 323,9/12,7	323,9	12 ¾	12,7	0.500	272	10.709	377	14.843	295	11.614	8-10"	24.1	77.2
DTH Prime 406,4/12,7	406,4	16	12,7	0.500	354	13.937	442	17.402	374	14.724	10-12"	34.0	180.0
DTH Prime XL2 406,4/12,7	406,4	16	12,7	0.500	354	13.937	460	18.110	374	14.724	10-12"	36.9	180.0
DTH Prime 508/16	508	20	16	0.630	438	17.244	548	21.575	467	18.386	12-18"	52.7	450.0
DTH Prime 609,6/19	609,6	24	19	0.748	534	21.024	650	25.591	562	22.126	18"	61.5	572.2
DTH Prime 813/23	813	32	23	0.906	723	28.465	860	33.858	757	29.803	20-24"	119.0	1220.0
DTH Prime 914/23	914	36	23	0.906	824	32.441	962	37.874	857	33.740	20-24"	131.4	1430.0
DTH Prime 1016/23	1016	40	23	0.906	932	36.693	1062	41.811	960	37.795	24"	172.5	2400.0
DTH Prime 1220/25,4	1220	48	25,4	1.000	1129	44.449	1272	50.079	1157	45.551	33"	221.0	3190.0
DTH Prime 1320/25,4	1320	52	25,4	1.000	1226	48.268	1374	54.094	1256	49.449	33"	250.0	3900.0
DTH Prime 1422/25,4	1422	56	25,4	1.000	1325	52.165	1476	58.110	1357	53.425	33"	270.0	4400.0
DTH Prime 1524/25,4	1524	60	25,4	1.000	1423	56.024	1580	62.205	1458	57.402	33"	300.0	5000.0

## DTH Prime DT (Drill Through)

Order code	Casing				Ring bit				Pilot bit	Hammer	Weight		
	[mm]	[in]	[mm]	[in]	[mm]	[in]	[mm]	[in]	[mm]	[in]	[kg]	[kg]	
DTH Prime DT 114,3/10	114,3	4 ½	10	0.394	80	3.150	135	5.315	90,6	3.567	3"	4.4	6.1
DTH Prime DT 139,7/10	139,7	5 ½	10	0.394	100	3.937	161	6.339	114	4.488	4"	5.8	10.4
DTH Prime DT 152,4/12,7	152,4	6	12,7	0.500	106	4.173	175	6.890	124	4.882	4"	7.5	11.4
DTH Prime DT 168,3/12,7	168,3	6 ¾	12,7	0.500	126	4.961	191	7.520	138	5.433	5"	8.4	18.1
DTH Prime DT 193,7/12,7	193,7	7 ¾	12,7	0.500	148	5.827	216	8.504	164	6.457	6"	10.0	28.7
DTH Prime DT 219,1/12,7	219,1	8 ¾	12,7	0.500	172	6.772	241	9.488	188	7.402	6"	11.6	30.0
DTH Prime DT 244,5/12,7	244,5	9 ¾	12,7	0.500	194	7.638	268	10.551	214	8.425	6"	14.1	54.2
DTH Prime DT 273/12,7	273	10 ¾	12,7	0.500	222	8.740	304	11.969	243	9.567	8"	17.5	65.1
DTH Prime DT 323,9/12,7	323,9	12 ¾	12,7	0.500	272	10.709	350	13.780	294	11.575	8-10"	20.2	77.8
DTH Prime DT 339,7/12,7	339,7	13 ¾	12,7	0.500	288	11.339	368	14.488	309	12.165	8-10"	22.3	80.0-145.0
DTH Prime DT 406,4/12,7	406,4	16	12,7	0.500	354	13.937	442	17.402	374	14.724	10-12"	34.0	180.0
DTH Prime DT 609,6/19	609,6	24	19	0.748	534	21.024	650	25.591	562	22.126	18"	61.5	572.2
DTH Prime DT 813/23	813	32	23	0.906	723	28.465	860	33.858	757	29.803	20-24"	119.0	1220.0
DTH Prime DT 914/23	914	36	23	0.906	824	32.441	962	37.874	857	33.740	20-24"	131.4	1430.0
DTH Prime DT 1016/23	1016	40	23	0.906	932	36.693	1062	41.811	960	37.795	24"	172.5	2400.0
DTH Prime DT 1220/25,4	1220	48	25,4	1.000	1129	44.449	1272	50.079	1157	45.551	33"	221.0	3190.0
DTH Prime DT 1320/25,4	1320	52	25,4	1.000	1226	48.268	1374	54.094	1256	49.449	33"	250.0	3900.0
DTH Prime DT 1422/25,4	1422	56	25,4	1.000	1325	52.165	1476	58.110	1357	53.425	33"	270.0	4400.0
DTH Prime DT 1524/25,4	1524	60	25,4	1.000	1423	56.024	1580	62.205	1458	57.402	33"	300.0	5000.0

