

DTH-REC

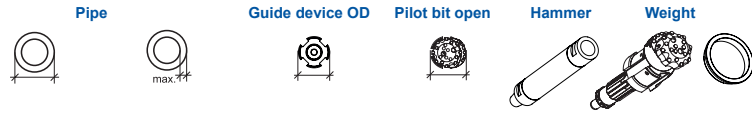
Robit® Overburden Eccentric System

The new Robit® DTH-REC system is specially designed to offer a maximum reliability in overburden drilling conditions. This system enables driving the casing in all downward vertical directions/formations avoiding collapsing holes and lost equipment. DTH-REC system is a two-piece bit consisting of a concentric pilot bit and a swing-out eccentric reamer, which enlarges the hole's diameter driving the casing down into the hole. When the required depth has been reached, a reverse rotation is applied to retract the reamer, and then the full system can be pulled out and used again leaving the casing in place for further applications. DTH-REC system is applied worldwide in several ground drilling applications: Water well & Geothermal drilling, Micro piling, Dam and port projects.



DTH-REC

Order code



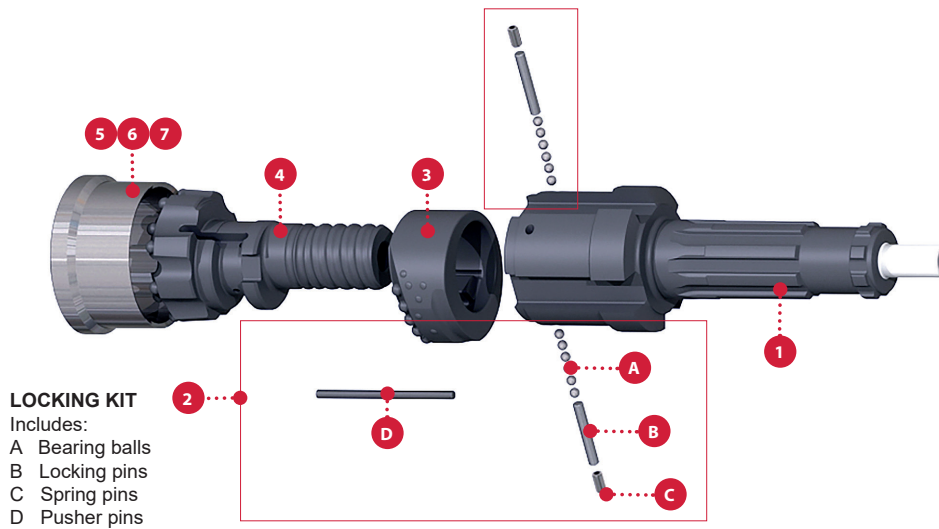
	[mm]	[in]	[mm]	[in]	[mm]	[in]	[mm]	[in]		[kg]	[kg]
DTH-REC 114,3/6	114,3	4½	6	0.236	99,5	3.917	125	4.921	3"	12	1.2
DTH-REC 139,7/5,6	139,7	5½	5,6	0.220	125,5	4.941	153	6.023	4"	22	1.5
DTH-REC 168,3/5,6	168,3	6%	5,6	0.220	154	6.063	185	7.283	5"	36	2.5
DTH-REC 193,7/5	193,7	7%	5	0.196	179	7.047	212	8.346	6"	57	3.5
DTH-REC 219,1/6,3	219,1	8%	6,3	0.248	203	7.992	238	9.370	6"	79	4.0
DTH-REC 273/6,3	273	10¼	6,3	0.248	255	10.039	307	12.086	8"	136	6.5

* Casing shoe wall thickness

**Complete System does not include Casing shoes

Component parts

Ref	Description	Item number					
		114,3/6 IR 3,5	139,7/5,6 IR 340	168,3/6,3 IR350	193,7/6,3 IR360	219,1/6,3 IR360	273/6,3 IR380
1	Guide device	2000272	2000179	2000064	2000329	2000249	03-581-273-0049
2	Locking kit	2000283	2000219	2000226	2000335	2000259	2000361
3	Reamer	2000276	2000184	2000060	2000333	2000254	03-620-273-0047
4	Pilot bit	2000274	2000182	2000062	2000331	2000252	03-610-273-0052
5	Casing shoe	2000281 (6)*	2000187 (5,6)*	2000508 (6,3)*	2000509 (6,3)*	2000255 (6,3)*	03-630-273-0054 (6,3)*
6	Casing shoe	2000282 (4,5)*	2000201 (4,5)*	2000058 (5,6)*	2000336 (5)*	2000256 (5)*	-
7	Casing shoe	-	-	2000203 (4,5)*	-	-	-
Complete System**		2000499	2000500	2000501	2000502	2000498	2000503



LOCKING KIT
Includes:
A Bearing balls
B Locking pins
C Spring pins
D Pusher pins