

# DTH-RoX+, DTH-RoX++

Single-use system for down the hole hammer

Sometimes overburden is thick and full of boulders. Robit® Single-Use Casing System for DTH Hammer enables easy, fast, and reliable drilling process in all conditions. Robit® Single-Use Casing Systems are available for all the common Down The Hole hammers and are designed for all the applications where the casing is left in the ground:

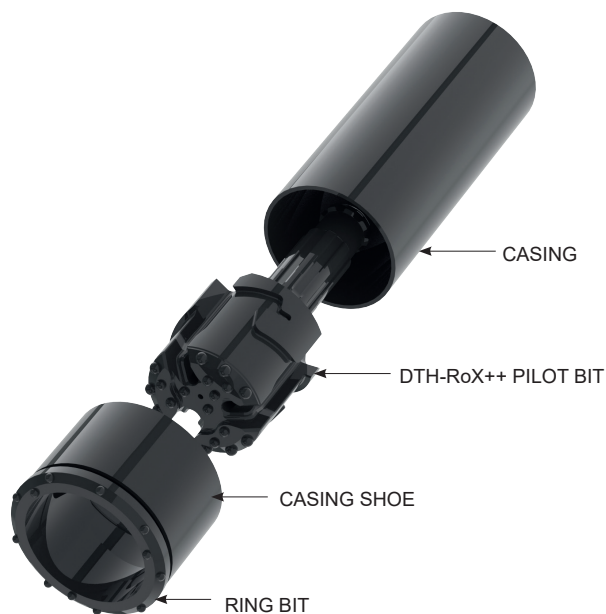
- Water well drilling (+, ++: ring bit ID optimized)
- Thermal well drilling (+, ++: ring bit ID optimized)

## DTH-RoX++

### Drilling parameters example

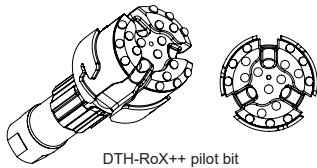
Product	DTH-RoX++ 168,3/6
Rock / Ground conditions	All rock and ground formations
Application	Well drilling
DTH hammer size	5"
Rotation speed	30 - 40 RPM
Torque	1500 - 2000 Nm
	15 - 24 m <sup>3</sup> /min Max:17 kg/cm <sup>2</sup>
Compressor output	530 - 848 CFM 250 psi
Compressor pressure	10 - 16 bar

**NOTE** Parameters may vary depending on ground / rock conditions, application and machinery.

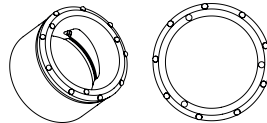


DTH-RoX(+). Ring bit ID optimized

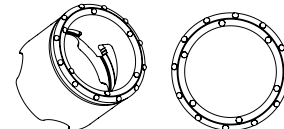
Order code	Casing		Ring bit				Pilot bit	Hammer	Weight				
	[mm]	[in]	[mm]	[in]	[mm]	[in]	[mm]	[in]	[kg]	[kg]			
DTH-RoX+ 114,3/5	114,3	4 ½	5	0.197	91	3.583	128	5.039	102	4.016	3 ½"	3.4	6.6
DTH-RoX++ 139,7/5,6	139,7	5 ½	5,6	0.220	116	4.567	154	6.063	127,5	5.020	4"	5.2	13.9
DTH-RoX++ 168,3/6	168,3	6 ¾	6	0.236	142	5.591	184	7.244	155	6.102	5"	7.1	23.8
DTH-RoX+ 177,8/6,9	177,8	7	6,9	0.272	153,5	6.043	195	7.677	162	6.378	6"	7.0	27.0
DTH-RoX++ 193,7/6	193,7	7 ¾	6	0.236	167	6.575	212	8.346	180	7.087	6"	9.0	35.2
DTH-RoX+ 219,1/5	219,1	8 ¾	5	0.197	192	7.559	238	9.370	207	8.150	6"	10.4	37.8
DTH-RoX+ 219,1/6	219,1	8 ¾	6	0.236	186	7.323	234	9.213	205	8.071	6"	10.0	37.2
DTH-RoX+ 273/8	273	10 ¾	8	0.315	232	9.134	292	11.496	255	10.039	8"	19.8	78.8
DTH-RoX++ 273/8	273	10 ¾	8	0.315	238	9.370	297,5	11.713	255	10.039	8"	19.4	74.3
DTH-RoX+ 323,9/8	323,9	12 ¾	8	0.315	281	11.063	343	13.504	306	12.047	8"	26.4	106.9
<b>Heavy duty rings</b>													
DTH-RoX++ HD 101,6/5	101,6	4	5	0.197	82,5	3.248	118	4.646	90,4	3.559	3"	3.2	6.0
DTH-RoX++ HD 139,7/5,6	139,7	5 ½	5,6	0.220	116	4.567	156	6.142			4"	6.3	13.9
DTH-RoX++ HD 168,3/6	168,3	6 ¾	6	0.236	142	5.591	186	7.323			5"	8.6	23.8
DTH-RoX++ HD 193,7/6	193,7	7 ¾	6	0.236	167	6.575	214	8.425			6"	10.9	35.2
DTH-RoX+ HD 219,1/6	219,1	8 ¾	6	0.236	186	7.323	241	9.488			6"	11.4	37.2



DTH-RoX++ pilot bit



DTH-RoX++ ring bit



Heavy Duty rings

Casing Advancing Systems