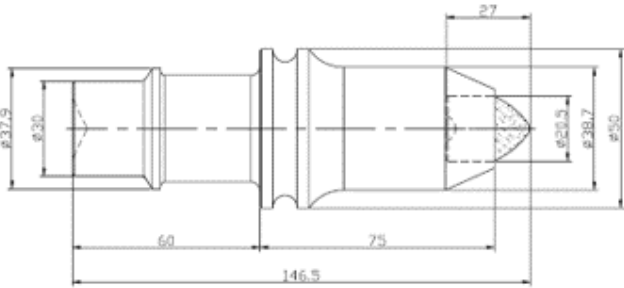
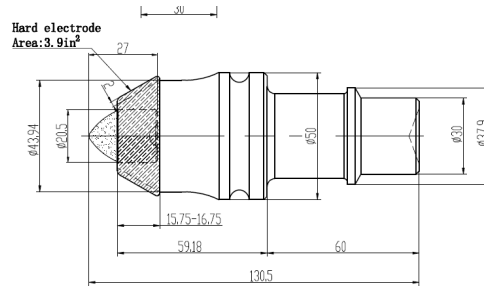


TEETH, POCKETS & WEAR PARTS

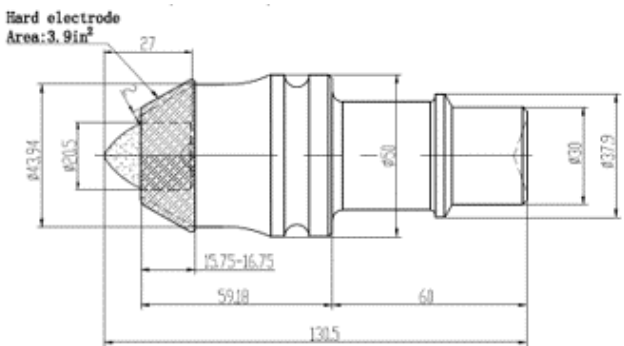
Pinnacle's "ULTRA-CUT" line is the leading brand of ground engagement products in the drilling industry. With a large inventory of wear protection, round picks, casing & tooling teeth, pockets, and other drilling consumables, Pinnacle can ensure that our customer's immediate requirements are met.



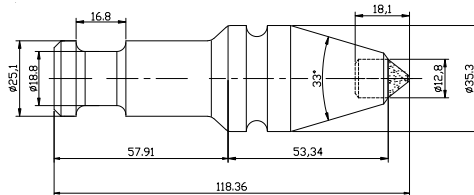
RT47K-19L - Pocket RTP85-1



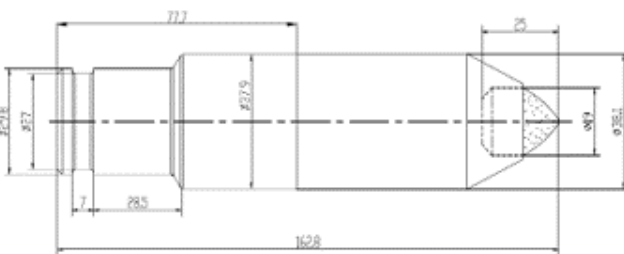
RT47 - Pocket RTP85-1



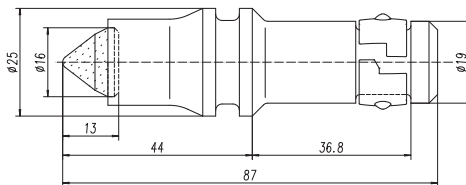
RT47P - Pocket RTP85-1



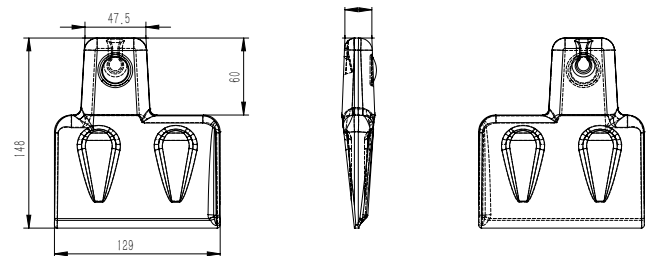
RT31HD - Pocket RTP30



RT186 - Pocket RTP43

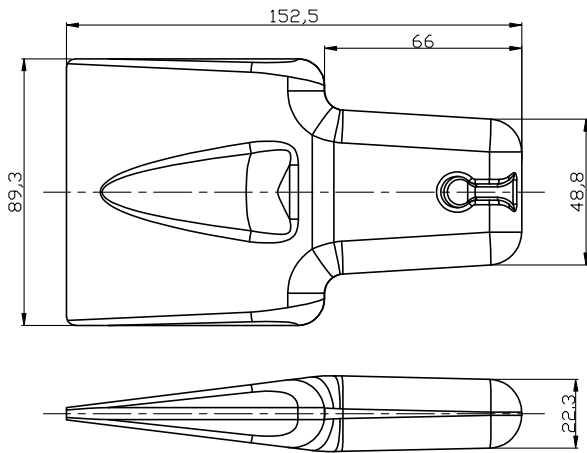


RT23 - Pocket RTP20

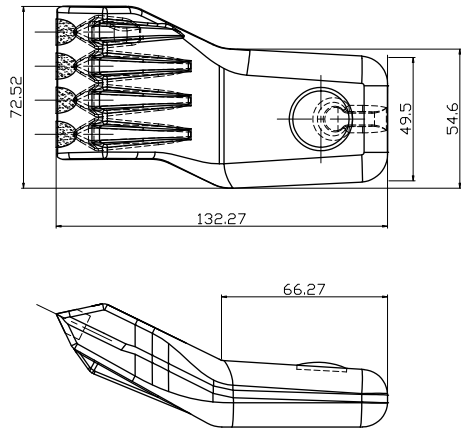


DT134 - Pocket DTP5

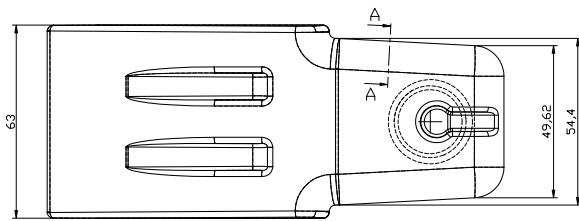
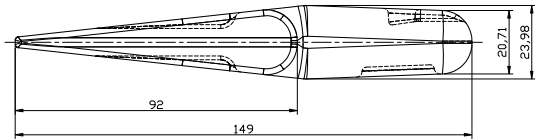




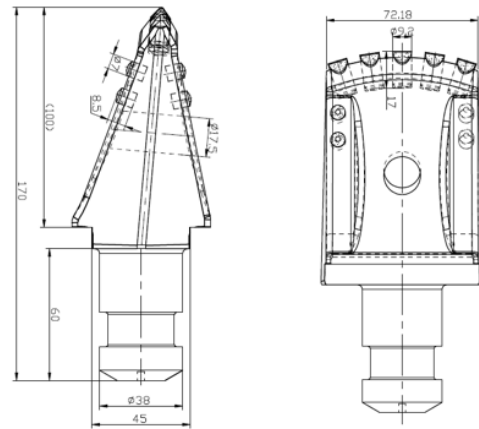
DT132 - Pocket DTP5



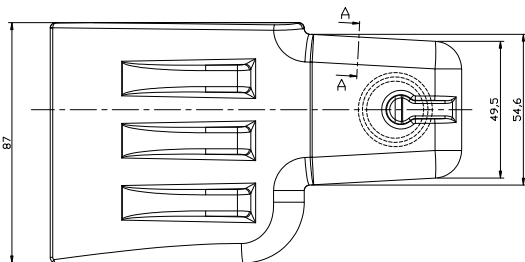
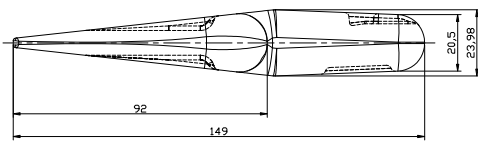
DT299 - Pocket DTP5



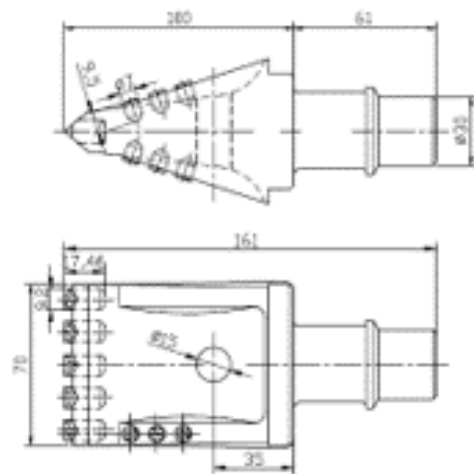
DT201 - Pocket DTP5



DT72 - Pocket DTP72

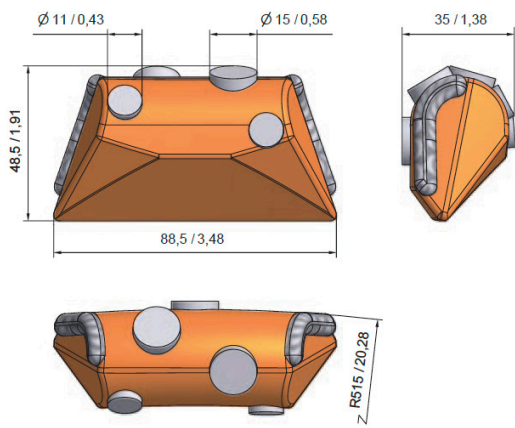


DT211 - Pocket DTP5

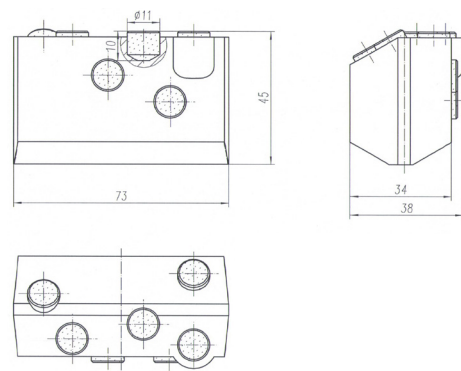


DT162 - Pocket DTP112

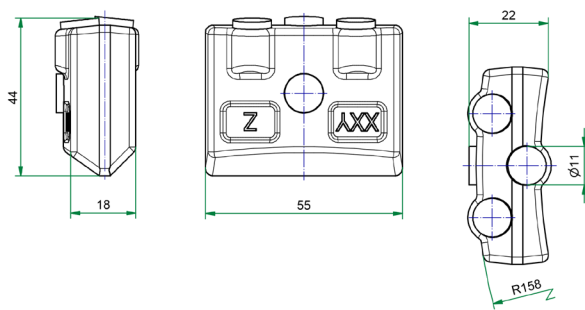




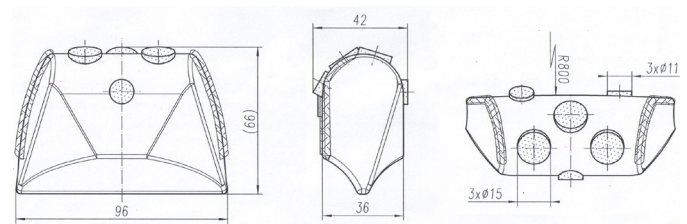
WB01



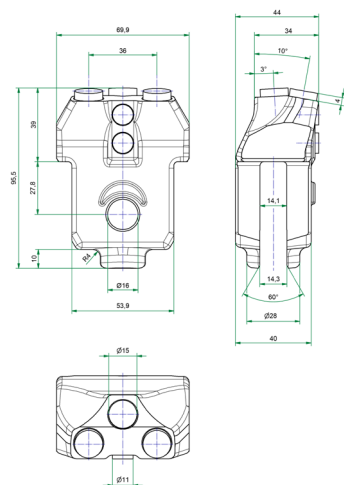
WB04



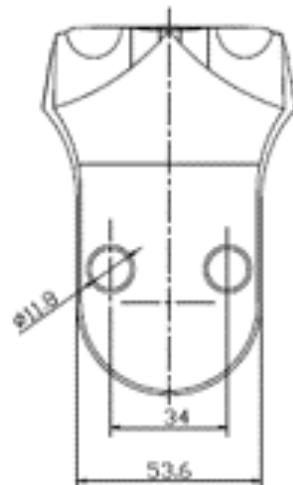
WB13



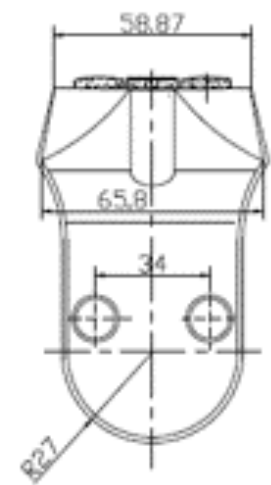
WB24



CT47 - Pocket CTP05



CT46 - Pocket CTP39



CT39 - Pocket CTP39



